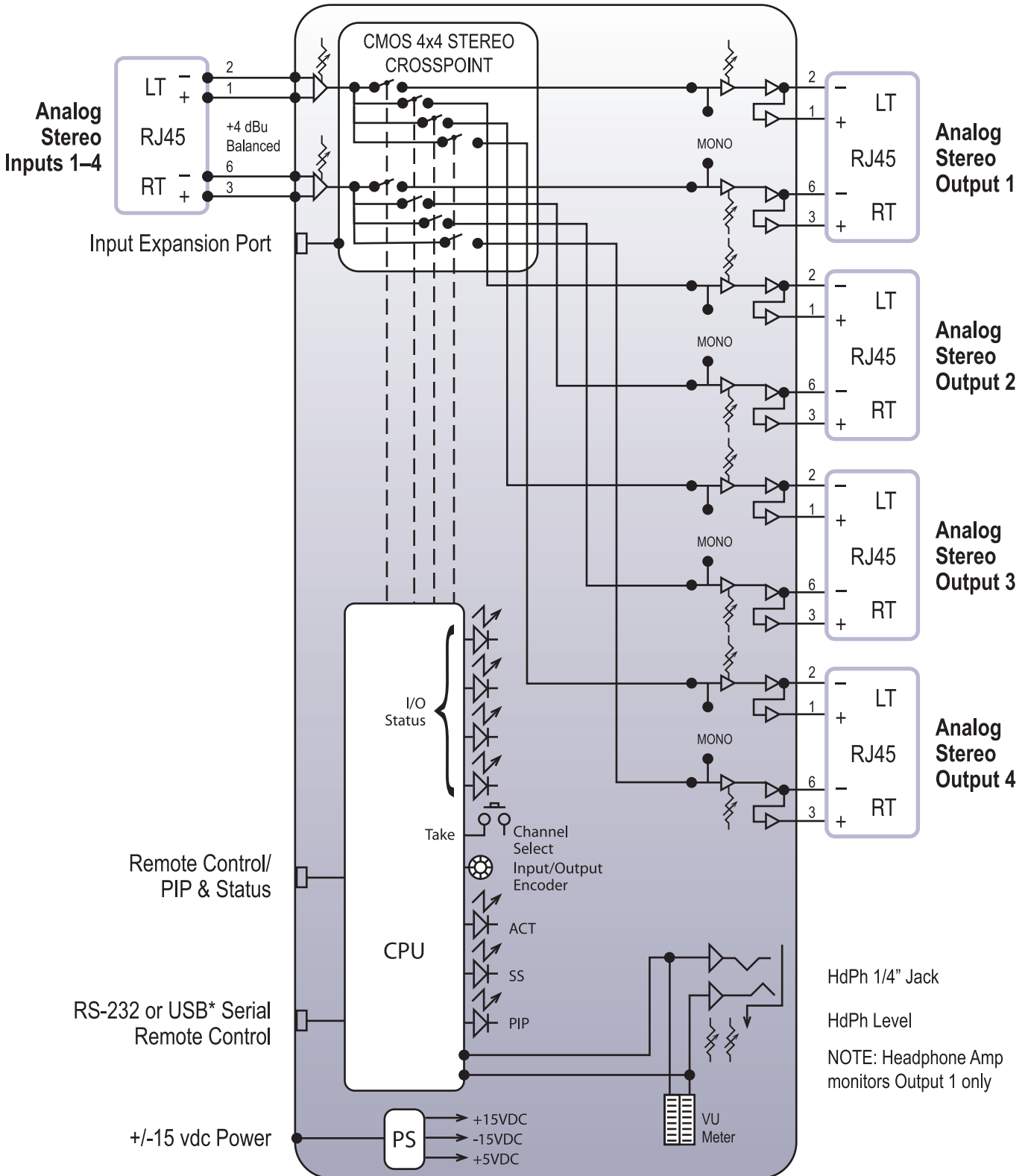


Functional Diagram



* Optional USB-RS232 Smart Adapter Cable or Ethernet to Serial adapter.