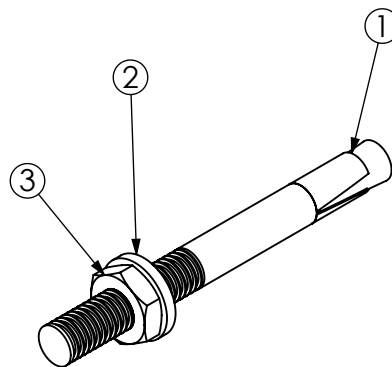
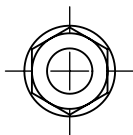
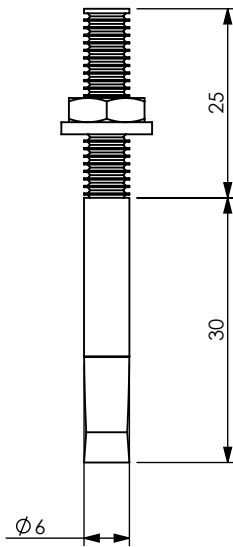


# PRODUCT DATA SHEET



## A) SPECIFICATIONS

- 1 Stainless Steel Anchor
- 2 Flat washer
- 3 Nut

## B) PACKAGING INFORMATION

Packing in boxes.  
Label indicating:  
product code, article, quantity,  
production batch,  
FIMO logo and figure.  
( Customer code on request ).

## C) MOUNTING INSTRUCTIONS

On request

code	<b>1013010655.01</b>
article	MF 6x55/25

100	0.002kg

RI	DATE	DR	DATE	AP	Description:
02					<b>MF 6x55/25</b>  Stainless Steel Anchors
01	02/12/2021	E.N.	02/12/2021	A.V.	
UPDATE CODE					
00	15/11/2016	E.B.	15/11/2016	A.V.	
1 <sup>ST</sup> EMISSION					
					Use: Fixing of radiating cable clamps