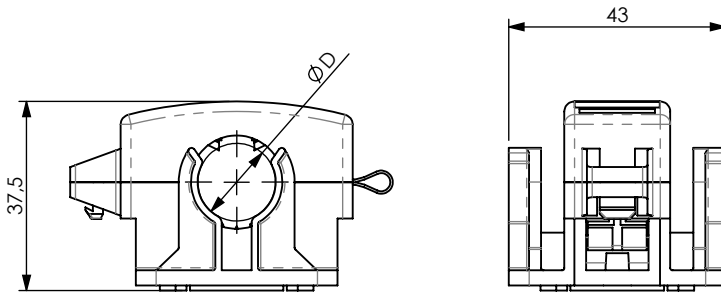


PRODUCT DATA SHEET



A) SPECIFICATIONS

Cable clamp. Material: P.A.6 UL94-V0 Self Extinguishing, black colour, halogen free (according to UL94-V0).
 1) Elastic provisional pre-fixing of cable.
 2) Security locking system.

B) OPERATING TEMPERATURE

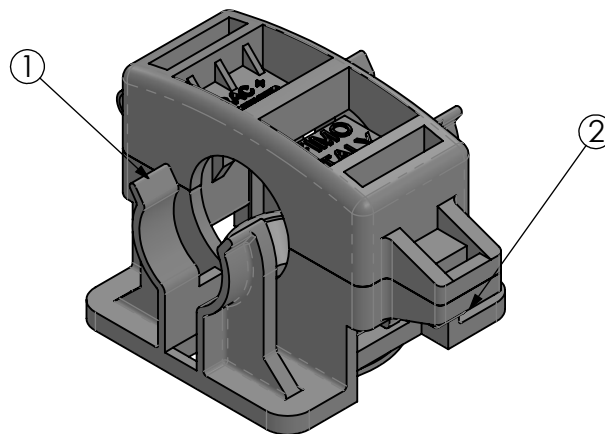
Working temperature : -40°C +125°C.
 Installation temperature : -20°C +60°C.

C) DELIVERY MODALITIES

Packing in boxes. Label indicating: product code, article, quantity, production batch, FIMO logo and figure. (Customer code on request).

D) MOUNTING INSTRUCTIONS

RAC IST 021 REV2



code	6150000012
article	RAC+ 1/2"

D		
15-18	50	0.0206kg

RI	DATE	DR	DATE	AP	Description: RAC+ 1/2" Radiating Cable Clamps
02					
01					
00	19/09/2016	E.B.	19/09/2016	A.V.	
1 ST EMISSION					
					Use: Installation of radiating cables in tunnel