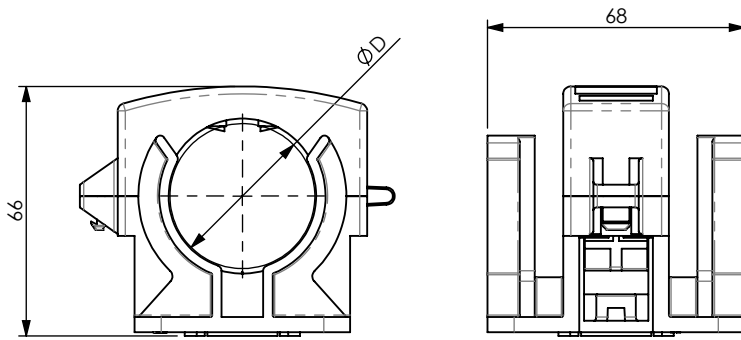


PRODUCT DATA SHEET



A) SPECIFICATIONS

Cable clamp. Material: P.A.6 UL94-V0
Self Extinguishing, black colour,
halogen free (according to UL94-V0).
1) Elastic provisional pre-fixing of cable.
2) Security locking system.

B) OPERATING TEMPERATURE

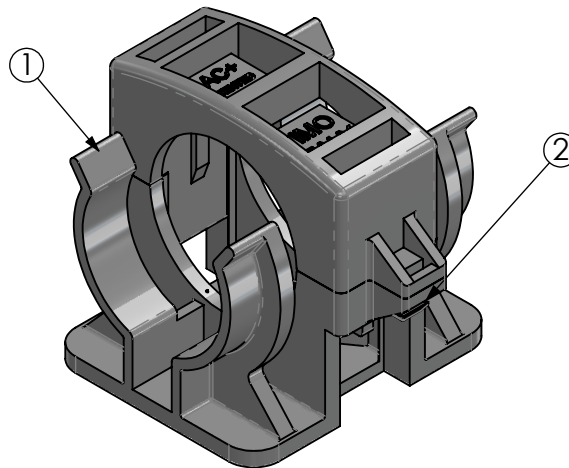
Working temperature : -40°C +125°C.
Installation temperature : -20°C +60°C.

C) DELIVERY MODALITIES

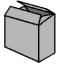

Packing in boxes. Label indicating:
product code, article, quantity,
production batch, FIMO logo and figure.
(Customer code on request).



D) MOUNTING INSTRUCTIONS

RAC IST 021 REV2



code	6150000114
article	RAC+ 1.1/4"

D		
38-41	50	0.0677kg

RI	DATE	DR	DATE	AP	Description: RAC+ 1.1/4" Radiating Cable Clamps
02					
01					
00	19/09/2016	E.B.	19/09/2016	A.V.	
1 ST EMISSION					
 Setting Installation Standards					Use: Installation of radiating cables in tunnel