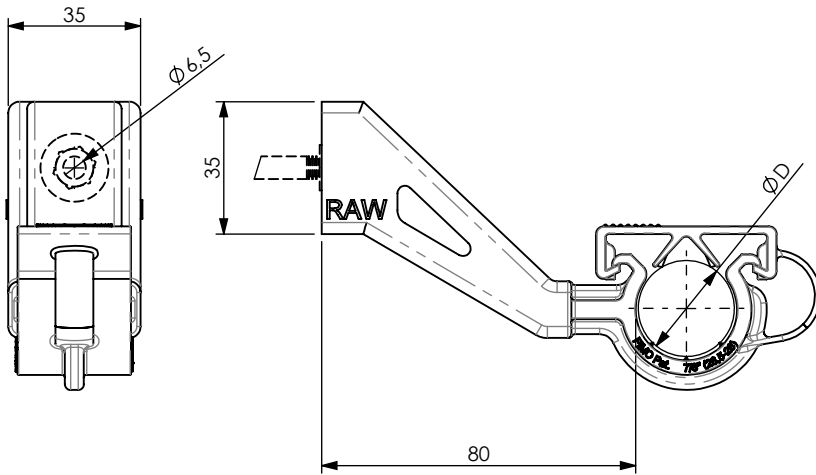


# PRODUCT DATA SHEET



## A) SPECIFICATIONS

1 Cable clamp. Material: PA6-VO, black colour, self extinguishing, halogen free (according to UL94-VO).

## B) OPERATING TEMPERATURE

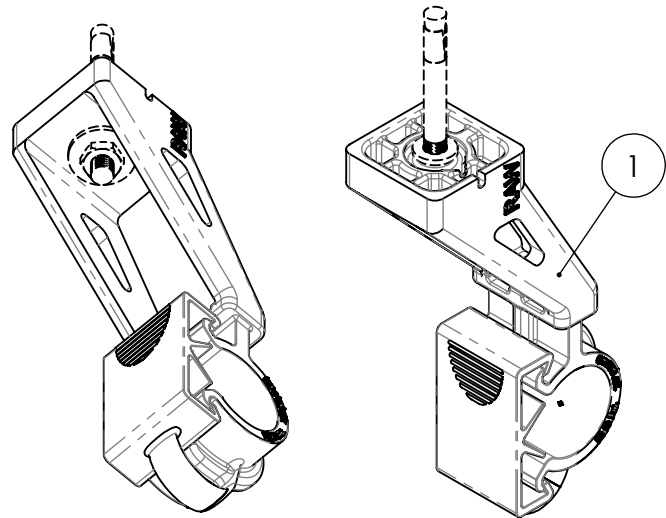
Working temperature : -40°C +125°C.  
Installation temperature : -20°C +60°C.

## C) DELIVERY MODALITIES

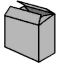

Packing in boxes. Label indicating: product code, article, quantity, production batch, FIMO logo and figure. ( Customer code on request ).



## D) MOUNTING INSTRUCTIONS

IT043



code	<b>6150010078</b>
article	RAW 7/8"-80

<b>D</b>		
26.5-28	50	0.0544kg

RI	DATE	DR	DATE	AP	Description:  <b>RAW 7/8"-80 Radiating Cable Clamps</b>
02					
01					
00	02/12/2016	E.B.	02/12/2016	A.V.	
1 <sup>ST</sup> EMISSION					
 <b>FIMO</b> Setting Installation Standards				 RoHS Compliant	Use: Horizontal or vertical installation of radiating cables in tunnel  * Suitable for installation in high speed railway tunnel application (350 km/h)