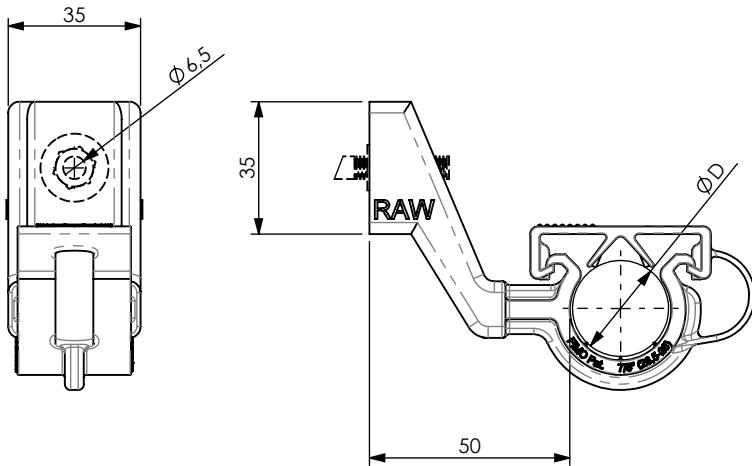


PRODUCT DATA SHEET



A) SPECIFICATIONS

1 Cable clamp. Material: PA6-VO, black colour, self extinguishing, halogen free (according to UL94-VO).

B) OPERATING TEMPERATURE

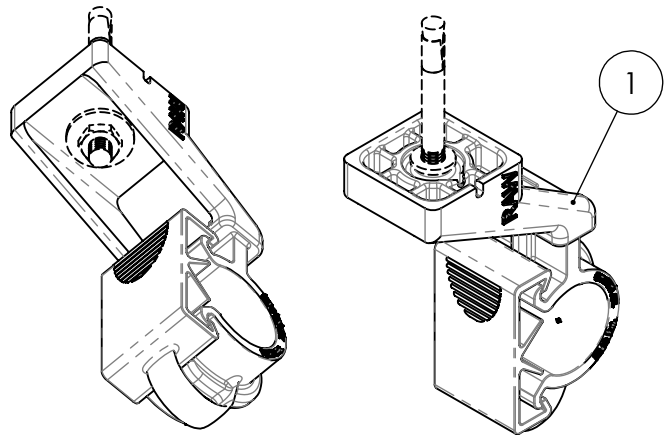
Working temperature : -40°C +125°C.
Installation temperature : -20°C +60°C.

C) DELIVERY MODALITIES

Packing in boxes. Label indicating: product code, article, quantity, production batch, FIMO logo and figure. (Customer code on request).

D) MOUNTING INSTRUCTIONS

IT043



| | |
|---------|-------------------|
| code | 6150015078 |
| article | RAW 7/8"-50 |

| | | |
|---------|----|----------|
| D | | |
| 26.5-28 | 50 | 0.0477kg |

| RI | DATE | DR | DATE | AP | Description: RAW 7/8"-50 Radiating Cable Clamps |
|--------------------------|------------|------|------------|------|---|
| 02 | | | | | |
| 01 | | | | | |
| 00 | 05/12/2016 | E.B. | 05/12/2016 | A.V. | |
| 1 ST EMISSION | | | | | |
| | | | | | Use: Horizontal or vertical installation of radiating cables in tunnel * Suitable for installation in high speed railway tunnel application (350 km/h) |