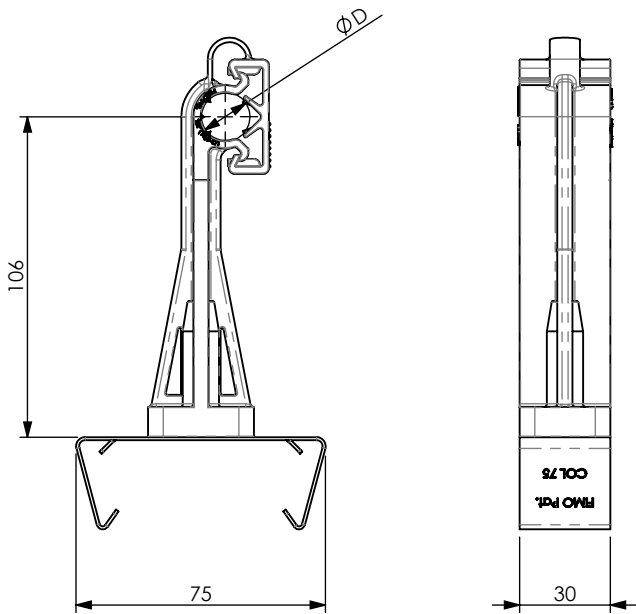


# PRODUCT DATA SHEET



## A) SPECIFICATIONS

- 1 Cable clamp. Material: PA6-VO, black colour, self extinguishing, halogen free (according UL94-VO).
- 2 Stainless Steel SNAP ON CLIP.
- 3 Stainless Steel 6x30 WOOD screws.

## B) RESISTANCE TESTS

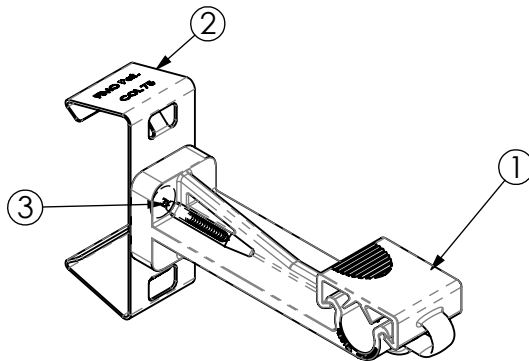
Working temperature : -40°C +125°C.  
Installation temperature : -20°C +60°C.

## C) DELIVERY MODALITIES

Packing in boxes. Label indicating: product code, article, quantity, production batch, FIMO logo and figure. ( Customer code on request ).

## D) MOUNTING INSTRUCTIONS

On request



code	<b>6150020012.75</b>
article	KIT RAX 1/2" + COL 75

<b>D</b>		
15.5-17	50	0.0794kg

RI	DATE	DR	DATE	AP	Description:
02					<b>KIT RAX 1/2" + COL 75 Radiating Cable Clamps</b>
01					
00	17/12/2015	E.B.	17/12/2015	A.V.	
1 <sup>ST</sup> EMISSION					
					Use: Fixing of radiating cables on profiles/sections