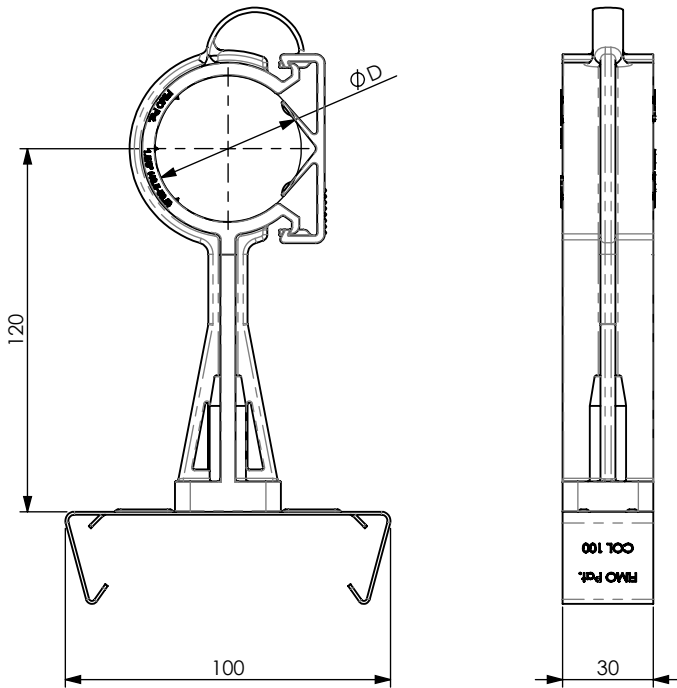


PRODUCT DATA SHEET



A) SPECIFICATIONS

- 1 Cable clamp. Material: PA6-VO, black colour, self extinguishing, halogen free (according UL94-VO).
- 2 Stainless Steel SNAP ON CLIP.
- 3 Stainless Steel 6x30 WOOD screws.

B) RESISTANCE TESTS

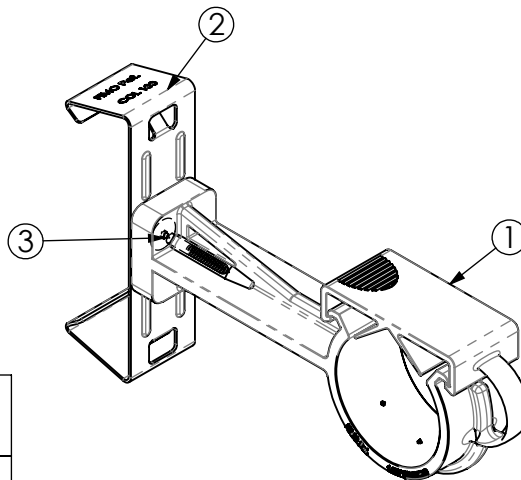
Working temperature : -40°C +125°C.
Installation temperature : -20°C +60°C.

C) DELIVERY MODALITIES

Packing in boxes. Label indicating: product code, article, quantity, production batch, FIMO logo and figure. (Customer code on request).

D) MOUNTING INSTRUCTIONS

On request



code	6150020158.100
article	KIT RAX 1.5/8" + COL 100

D		
48.5-50.5	50	0.1048kg

RI	DATE	DR	DATE	AP	Description:
02					KIT RAX 1.5/8" + COL 100 Radiating Cable Clamps
01					
00	17/12/2015	E.B.	17/12/2015	A.V.	
1 ST EMISSION					
					Use: Fixing of radiating cables on profiles/sections