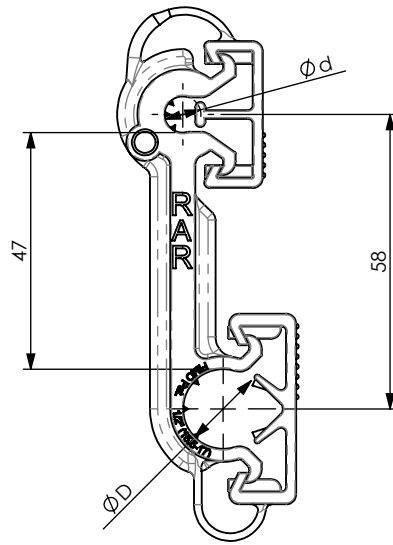
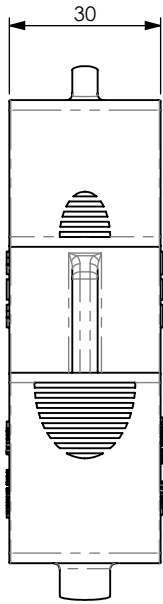


PRODUCT DATA SHEET



A) SPECIFICATIONS

Cable clamp. Material: PA6-VO, black colour, self extinguishing, halogen free (according to UL94-VO).

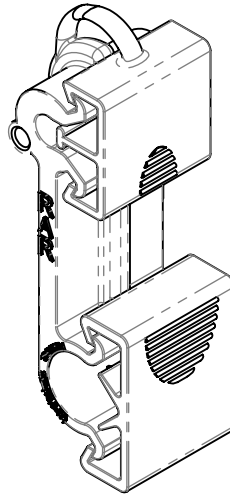
B) OPERATING TEMPERATURE

Working temperature : $-40^{\circ}\text{C} +125^{\circ}\text{C}$.
Installation temperature : $-20^{\circ}\text{C} +60^{\circ}\text{C}$.

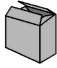

C) DELIVERY MODALITIES


Packing in boxes. Label indicating: product code, article, quantity, production batch, FIMO logo and figure. (Customer code on request).

D) MOUNTING INSTRUCTIONS IT 037



code	6150520012
article	RAR 1/2"-7

D	d		
15.5-17	6.5-7.5	50	0.0324kg

RI	DATE	DR	DATE	AP	Description: RAR 1/2"-7 Radiating Cable Clamps PATENT PENDING
02					
01					
00	25/02/2015	E.B.	25/02/2015	A.V.	
1 ST EMISSION					Use: Hanging of radiating cables on steel/synthetic Ropes
 Setting Installation Standards			