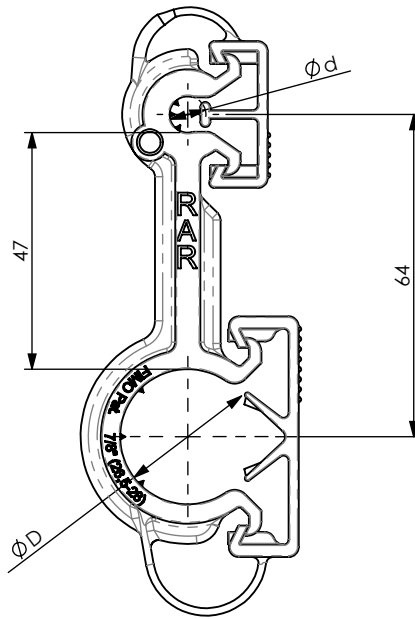
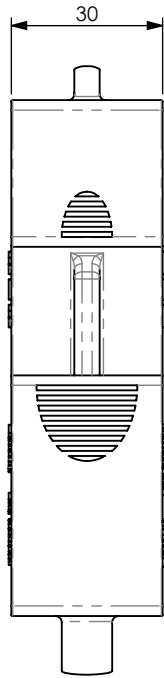


PRODUCT DATA SHEET



A) SPECIFICATIONS

Cable clamp. Material: PA6-VO, black colour, self extinguishing, halogen free (according to UL94-VO).

B) OPERATING TEMPERATURE

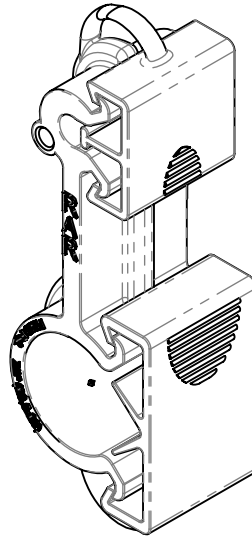
Working temperature : -40°C +125°C.
Installation temperature : -20°C +60°C.

C) DELIVERY MODALITIES

Packing in boxes. Label indicating: product code, article, quantity, production batch, FIMO logo and figure. (Customer code on request).



D) MOUNTING INSTRUCTIONS

IT 037



code	6150520078
article	RAR 7/8"-7

D	d		
26.5-28	6.5-7.5	50	0.0395kg

RI	DATE	DR	DATE	AP	<i>Description:</i> RAR 7/8"-7 Radiating Cable Clamps PATENT PENDING
02					
01					
00	15/04/2014	E.B.	15/04/2014	A.V.	
1 ST EMISSION					
					<i>Use: Hanging of radiating cables on steel/synthetic Ropes</i>