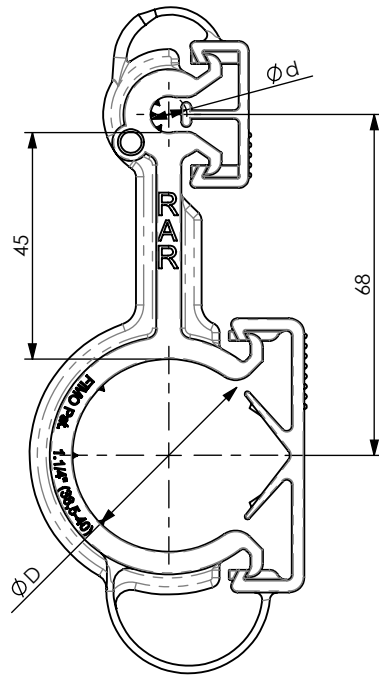
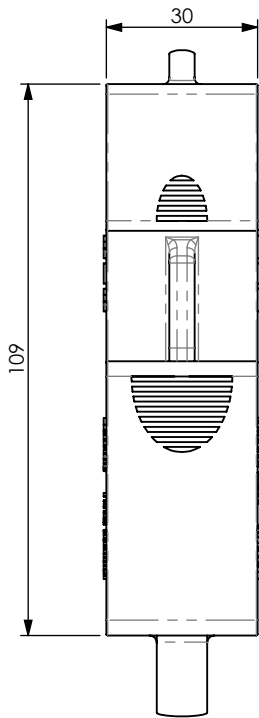


# PRODUCT DATA SHEET



## A) SPECIFICATIONS

Cable clamp. Material: PA6-VO, black colour, self extinguishing, halogen free (according to UL94-VO).

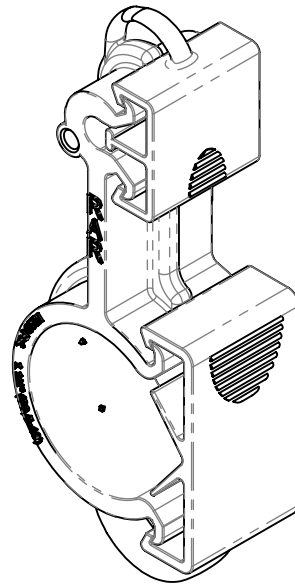
## B) OPERATING TEMPERATURE

Working temperature :  $-40^{\circ}\text{C} +125^{\circ}\text{C}$ .  
Installation temperature :  $-20^{\circ}\text{C} +60^{\circ}\text{C}$ .

## C) DELIVERY MODALITIES

Packing in boxes. Label indicating: product code, article, quantity, production batch, FIMO logo and figure. ( Customer code on request ).

## D) MOUNTING INSTRUCTIONS IT 037



code	<b>6150520114</b>
article	RAR 1.1/4"-7

<b>D</b>	<b>d</b>		
38.5-40	6.5-7.5	50	0.0470kg

RI	DATE	DR	DATE	AP	Description:  <b>RAR 1.1/4"-7 Radiating Cable Clamps PATENT PENDING</b>
02					
01	03/04/2014	E.B.	03/04/2014	A.V.	
00	17/12/2013	E.B.	17/12/2013	A.V.	
1 <sup>ST</sup> EMISSION					
<p>Use: Hanging of radiating cables on steel/synthetic Ropes</p>					