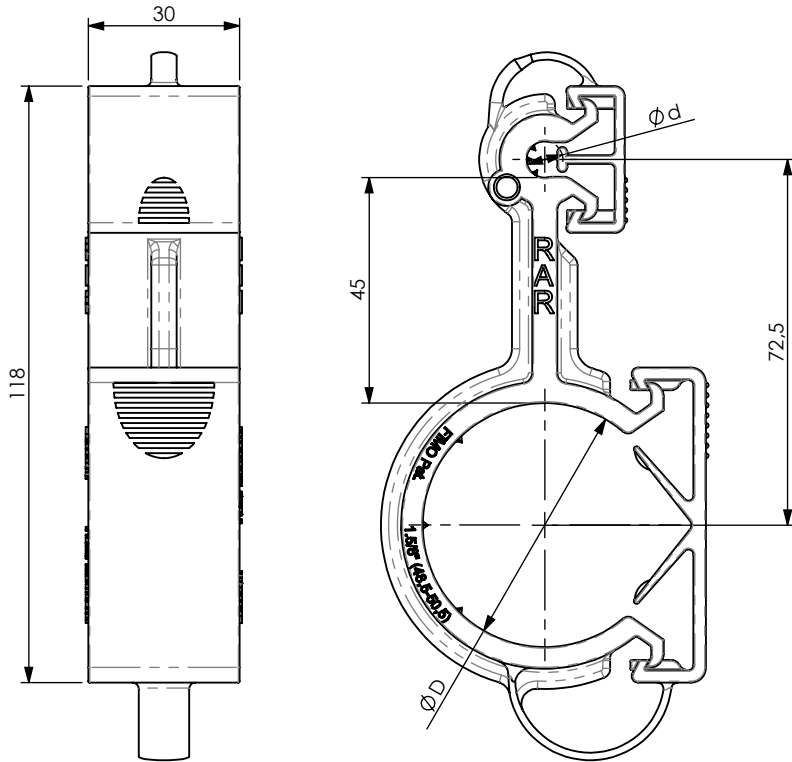


PRODUCT DATA SHEET



A) SPECIFICATIONS

Cable clamp. Material: PA6-VO, black colour, self extinguishing, halogen free (according to UL94-VO).

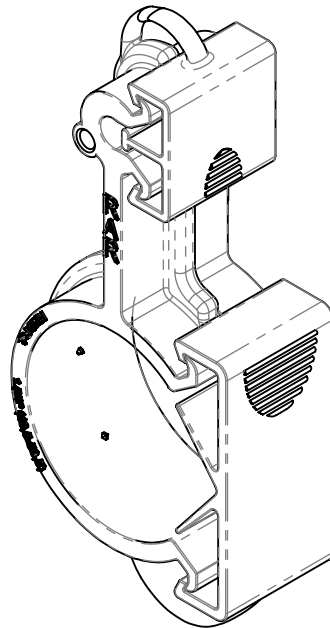
B) OPERATING TEMPERATURE

Working temperature : $-40^{\circ}\text{C} +125^{\circ}\text{C}$.
Installation temperature : $-20^{\circ}\text{C} +60^{\circ}\text{C}$.

C) DELIVERY MODALITIES

Packing in boxes. Label indicating: product code, article, quantity, production batch, FIMO logo and figure. (Customer code on request).

D) MOUNTING INSTRUCTIONS IT 037



code	6150520158
article	RAR 1.5/8"-7

D	d		
48.5-50.5	6.5-7.5	50	0.0515kg

RI	DATE	DR	DATE	AP	Description: RAR 1.5/8"-7 Radiating Cable Clamps PATENT PENDING
02	01/02/2016	E.B.	01/02/2016	A.V.	
01	03/04/2014	E.B.	03/04/2014	A.V.	
00	17/12/2013	E.B.	17/12/2013	A.V.	
1 ST EMISSION					
					Use: Hanging of radiating cables on steel/synthetic Ropes