

## RAC+ pat.

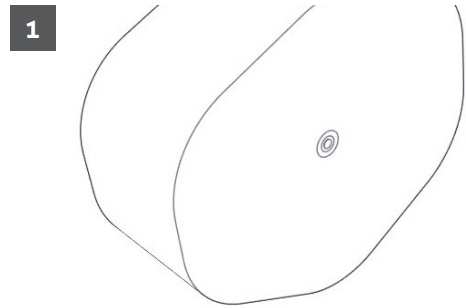
Cable Clamps for Radiating Cables

✓ NO TOOLS CABLE FASTENING

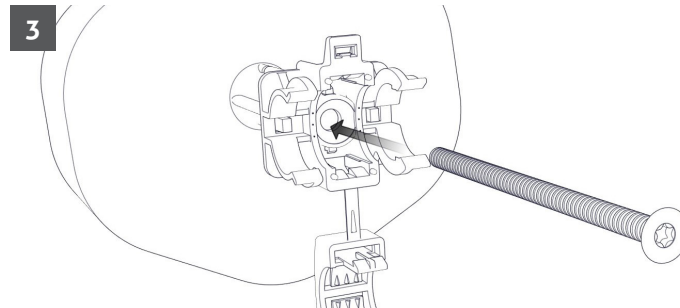
✓ IMPROVED CABLE RETENTION STRENGTH (+50%)

✓ QUICKER AND EASIER INSTALLATION

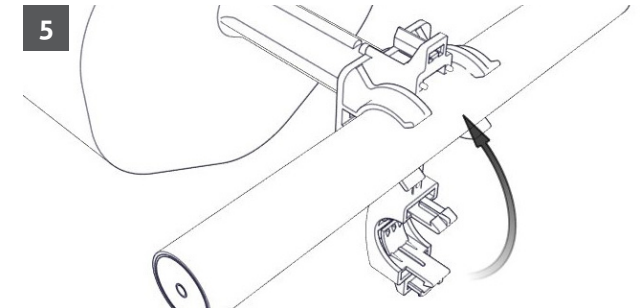
### RAC with DRA spacer.



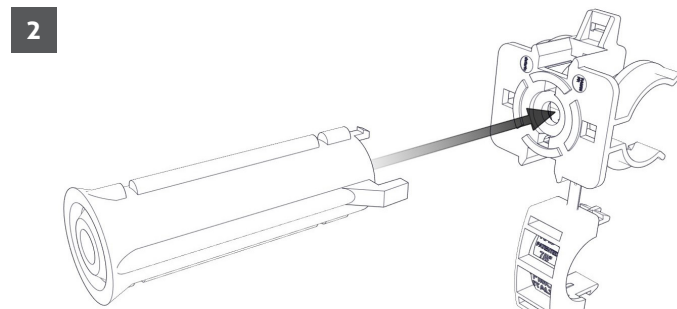
1 Drill a Ø 10mm hole, minimum 80mm deep.  
Clean hole. Insert plug in hole.



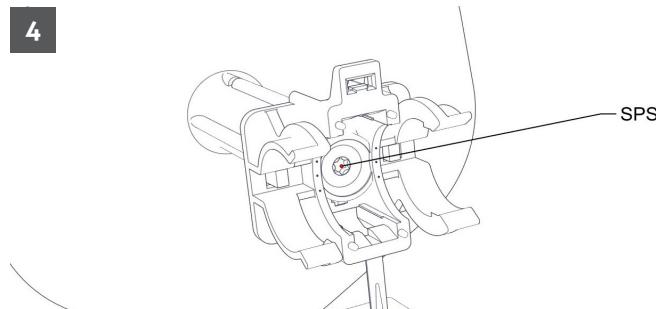
3 Insert SPS screw in RAC cable clamp.



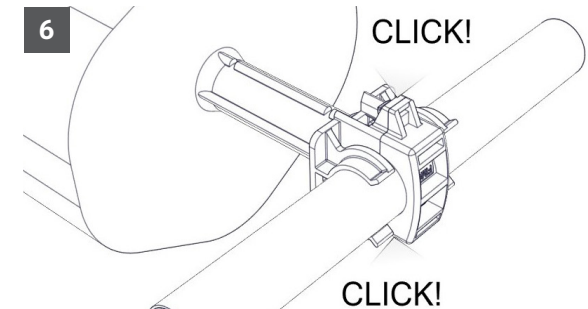
5 Insert cable in RAC cable clamp.  
Close clamp around cable.



2 Fix DRA spacer on RAC cable clamp.



4 Tighten SPS screw in plug (4 to 5 Nm).



6 Assure complete closure on both sides  
along with security hook insertion.

### ⚠ WARNINGS

Installation of products must be performed by qualified, trained and experienced personnel.

Manufacturer declines any liability for improper or unsafe installations.

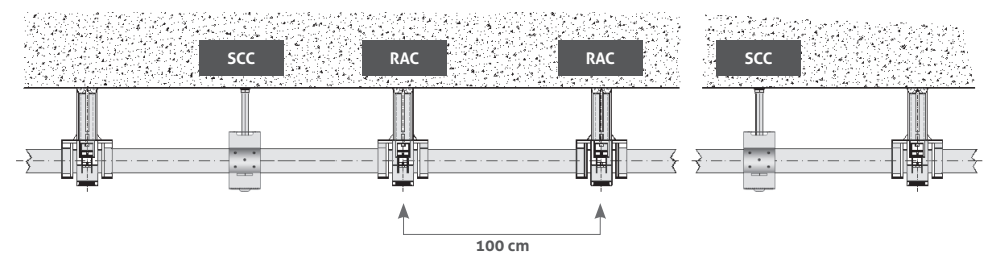
Mounting instructions and warnings must be read prior to installation.

Failure to observe warnings may result in injury or death to you or others.

Warnings alert you to possible dangers about improper use of product.

⚠ Notice: Manufacturer declines any liability or responsibility for the results of improper or unsafe installation, inspection, maintenance, or removal practices.

### CORRECT INSTALLATION DISTANCE



IST. 021 - 11/13 - A4 - REV. 2



All rights reserved.  
Passing on and copying of this document,  
use and communication of its contents not  
permitted without Fi.Mo.Tec. S.p.A. prior consent.



## RAC+ pat.

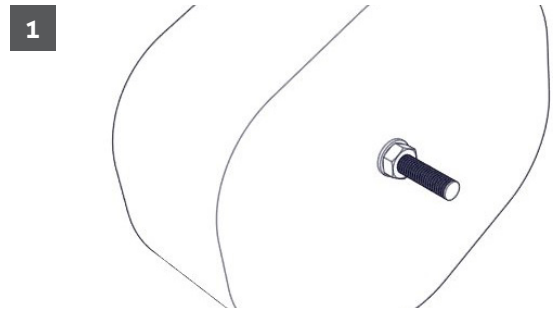
Cable Clamps for Radiating Cables

✓ NO TOOLS CABLE FASTENING

✓ IMPROVED CABLE RETENTION STRENGTH (+50%)

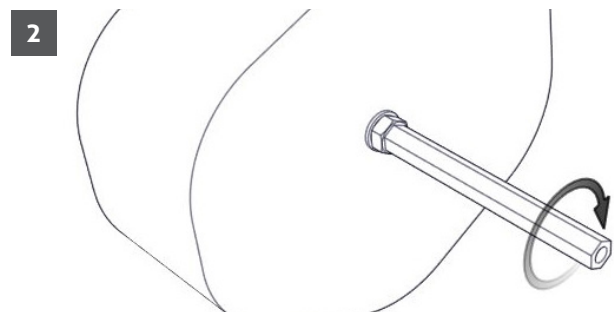
✓ QUICKER AND EASIER INSTALLATION

### RAC with MEI spacer.



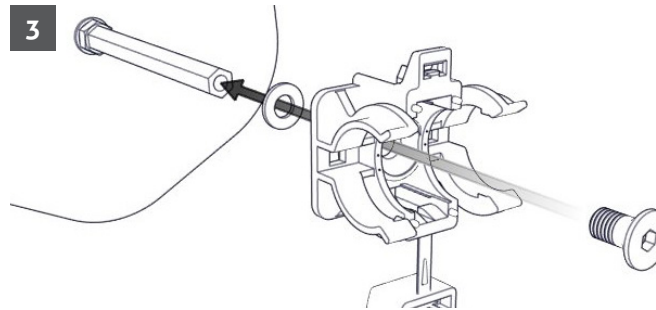
1

Drill a  $\varnothing$  8mm hole, minimum 50mm deep.  
Clean hole. Insert MFI or MF anchor in hole, leaving 25mm prominent.



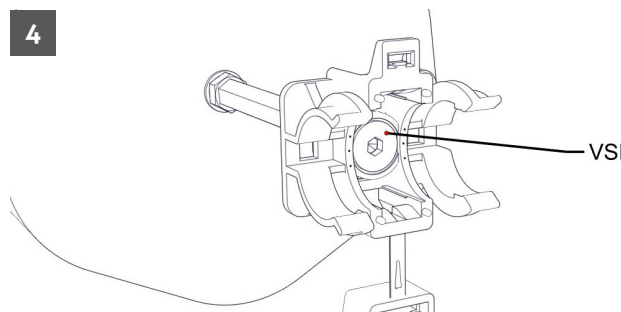
2

Twist MEI spacer on MFI or MF anchor and tighten (4 to 4.5 Nm).



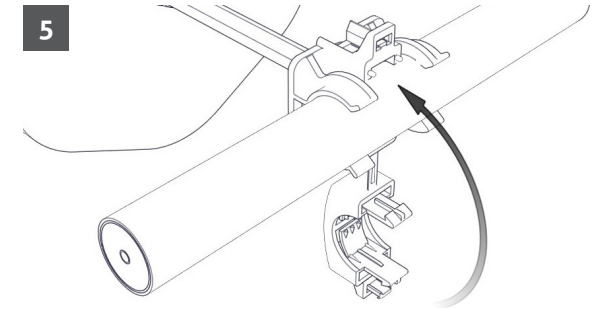
3

Insert VSI screw in RAC cable clamp and add RPI washer.



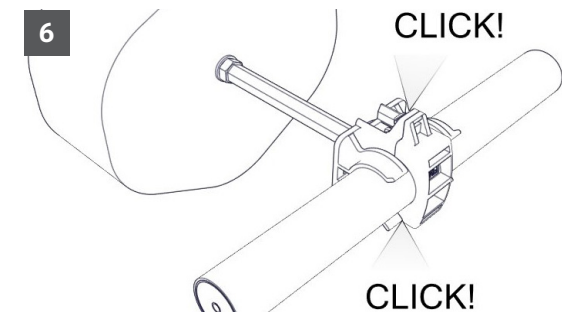
4

Tighten VSI screw on MEI spacer (4 to 4.5 Nm).



5

Insert cable in RAC cable clamp.  
Close clamp around cable.



6

Assure complete closure on both sides  
along with security hook insertion.

### ⚠ WARNINGS

Installation of products must be performed by qualified, trained and experienced personnel.

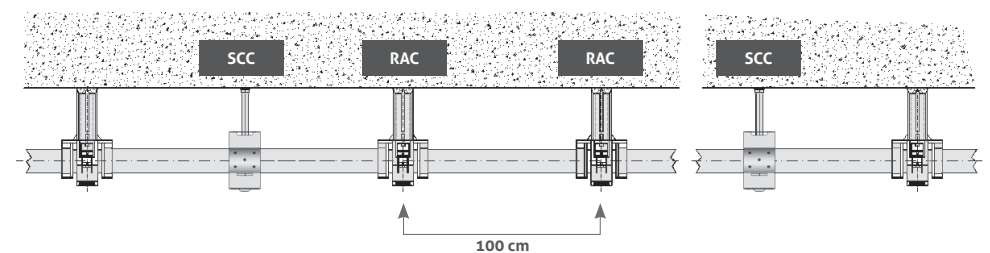
Manufacturer declines any liability for improper or unsafe installations.

Mounting instructions and warnings must be read prior to installation.

Failure to observe warnings may result in injury or death to you or others.

Warnings alert you to possible dangers about improper use of product.

### CORRECT INSTALLATION DISTANCE



⚠ Notice: Manufacturer declines any liability or responsibility for the results of improper or unsafe installation, inspection, maintenance, or removal practices.

IST. 021 - 11/13 - A4 - REV. 2



All rights reserved.  
Passing on and copying of this document,  
use and communication of its contents not  
permitted without Fi.Mo.Tec. S.p.A. prior consent.

