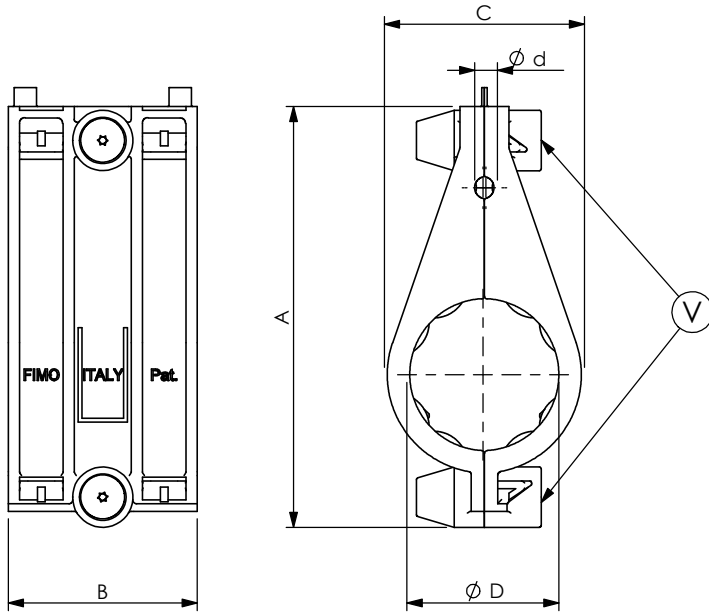


PRODUCT DATA SHEET



A) SPECIFICATIONS

- 1 Cable clamp. Material: PA6-VO, black colour, self extinguishing, halogen free (according UL94-VO).
- 2 Stainless Steel 6x30 TORX screws (V).

B) RESISTANCE TESTS

UV -Proof 1000 h test, according BS ISO 105-B6.
 Working temperature : -40°C +125°C.
 Installation temperature : -20°C +60°C.

C) DELIVERY MODALITIES

Packing in boxes. Label indicating: product code, article, quantity, production batch, FIMO logo and figure. (Customer code on request).

D) MOUNTING INSTRUCTIONS

RAP_Ist-018-A6-REV0

CODE	ARTICLE	A	B	C	ϕd	ϕD	BOX	WEIGHT
61 5050 0078	RAP 7/8"	74	50	40	6 - 7	27 - 28	50	50
61 5050 0114	RAP 1.1/4"	83	50	51	6 - 7	39 - 40	50	54
61 5050 0114.01	RAP 1.1/4" - 25	107	50	53	6 - 7	39 - 40	50	74
61 5050 0148.01	RAP 1.5/8" S	106	50	62	6 - 7	47 - 50	50	64
61 5050 0158	RAP 1.5/8"	94	50	62	6 - 7	50 - 52	50	64

RI	DATE	DR	DATE	AP	Description: RAP - Radiating Cable Clamps For Hangings on Steel/Synthetic Ropes
02					
01					
00	20/12/2016	E.B.	20/12/2016	A.V.	
1 ST EMISSION					