

RAR pat.

Cable Clamps for Radiating Cables

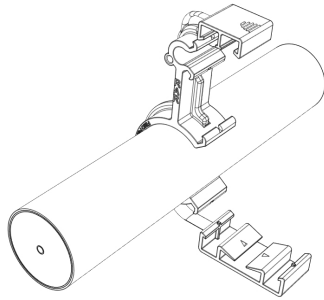
✓ ALL-NEW ULTRA-EFFICIENT CLAMPING

✓ NO-TOOLS FASTENING

✓ QUICKER AND EASIER INSTALLATION

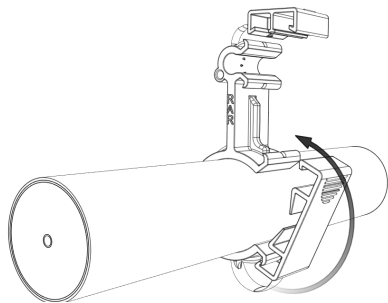
RAR pat.

1



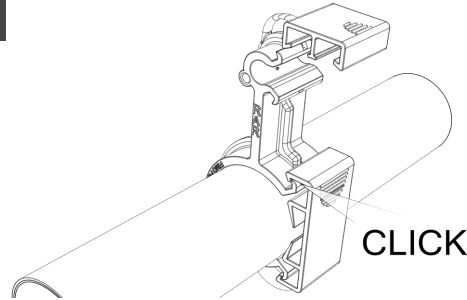
Insert cable into bigger RAR housing.

2



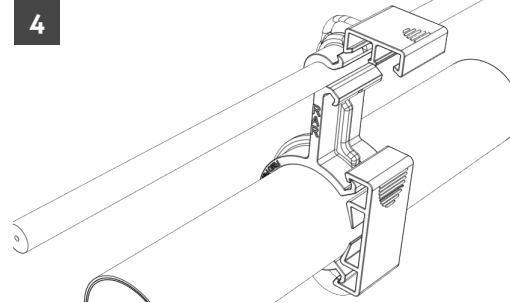
Place lower bracket end.

3



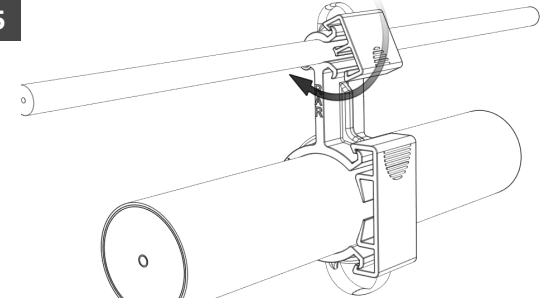
Close bracket over cable with a click at upper end.

4



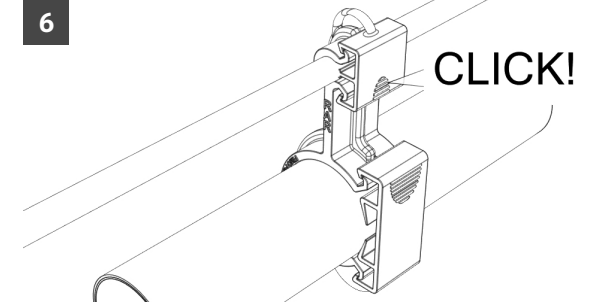
Insert rope into smaller RAR housing.

5



Place higher bracket end.

6



Close bracket over rope with a click at lower end.

⚠ WARNINGS

Installation of products must be performed by qualified, trained and experienced personnel.

Installation personnel must be correctly and safely equipped.

Mounting instructions and warnings must be read prior to installation.

Warnings alert you to possible dangers about improper use of product.

Failure to observe warnings may result in injury or death to you or others.

⚠ Notice: Manufacturer declines any liability or responsibility for the results of improper or unsafe installation, inspection, maintenance, or removal practices.

IST. 035 - 01/14 - A4 - REV. 0



All rights reserved.
Passing on and copying of this document,
use and communication of its contents not
permitted without Fi.Mo.Tec. S.p.A. prior consent.

