

# RAX+COL\* KIT pat.

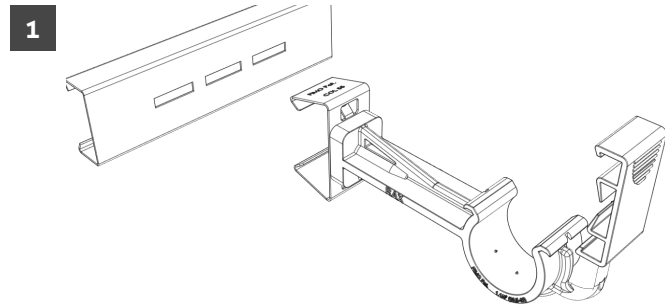
Cable Clamps for Radiating Cables

✓ ALL-NEW ULTRA-EFFICIENT CLAMPING

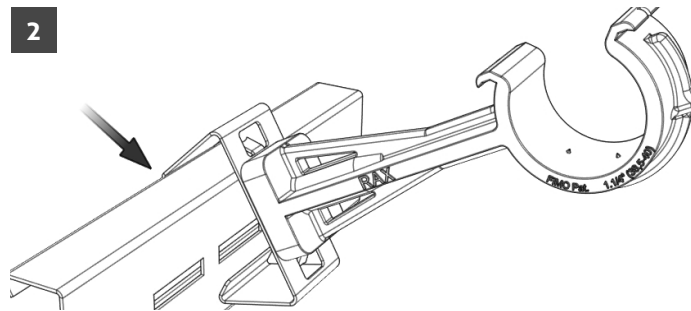
✓ 100% NO-TOOLS FASTENING

✓ QUICKER AND EASIER INSTALLATION

## RAX+COL\* KIT pat.

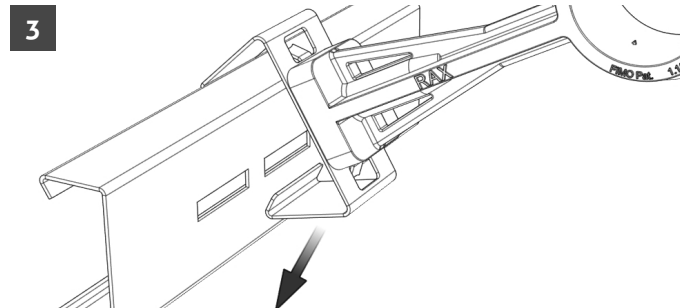


1



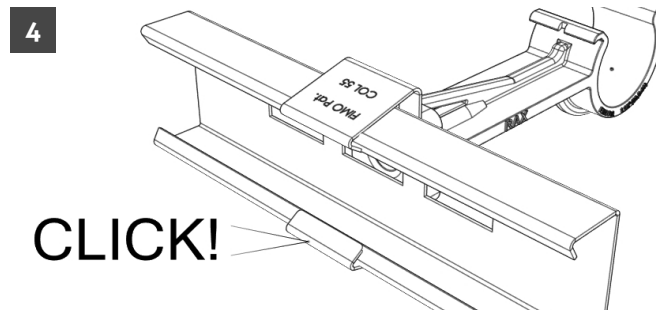
2

Hook upper clip-on corner on section, with cable clamp's opening facing upwards.



3

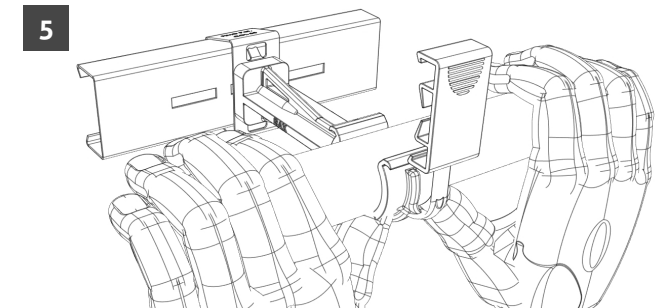
Pull RAX clamp downwards to embrace section.



4

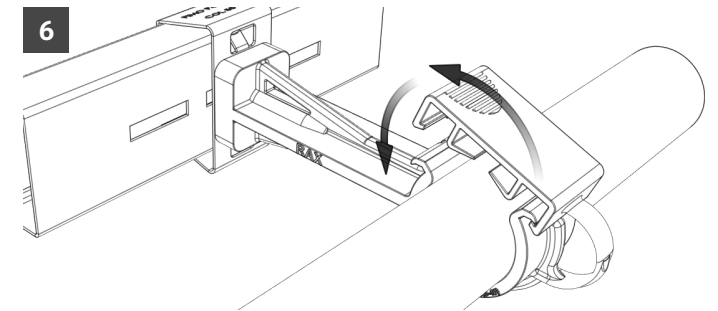
**CLICK!**

Apply pressure onto lower clip hook until loud **CLICK!** is heard.



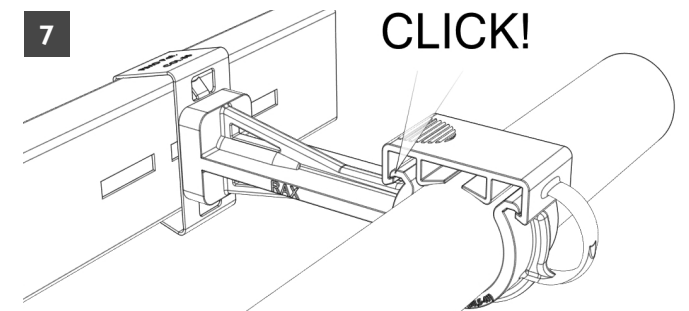
5

Insert cable into RAX clamp contrasting from below.



6

Place outer bracket end.



7

**CLICK!**

Close bracket over cable with a **CLICK!** at inner end.

\*) Use COL only on specified ladders, see below:

**COL 55**  
For LOE-55 ladder by OGLAEND SYSTEM.



**COL 75**  
For LOE-75 ladder by OGLAEND SYSTEM.



**COL 100**  
For LOE-100 ladder by OGLAEND SYSTEM.



### ⚠ WARNINGS

Installation of products must be performed by qualified, trained and experienced personnel.

Installation personnel must be correctly and safely equipped.

Mounting instructions and warnings must be read prior to installation.

Warnings alert you to possible dangers about improper use of product.

Failure to observe warnings may result in injury or death to you or others.

⚠ Notice: Manufacturer declines any liability or responsibility for the results of improper or unsafe installation, inspection, maintenance, or removal practices.

IST. 035 - 01/14 - A4 - REV. 0



All rights reserved.  
Passing on and copying of this document, use and communication of its contents not permitted without Fi.Mo.Tec. S.p.A. prior consent.

