

SCC+COL* KIT

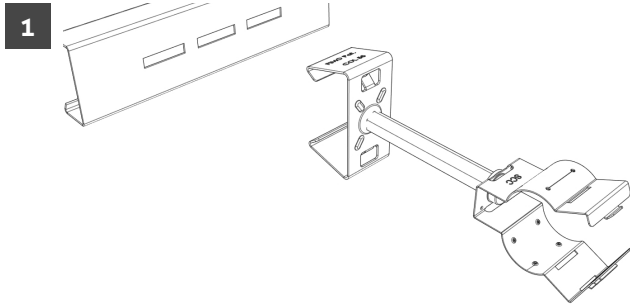
Safety Cable Clamps for Radiating Cables

✓ ULTRA-EFFICIENT CLAMPING

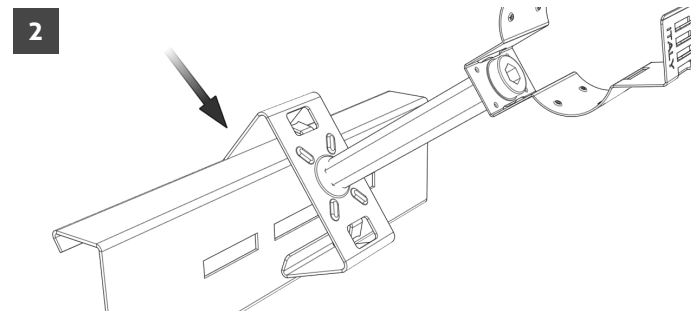
✓ 100% NO-TOOLS FASTENING

✓ QUICKER AND EASIER INSTALLATION

SCC+COL* KIT

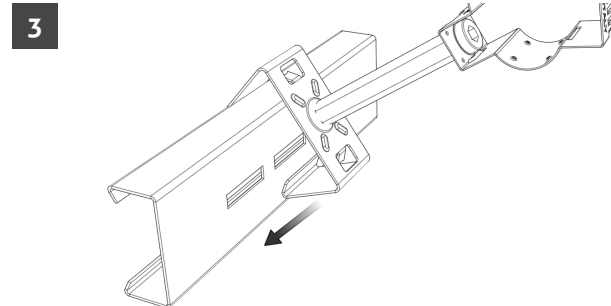


1



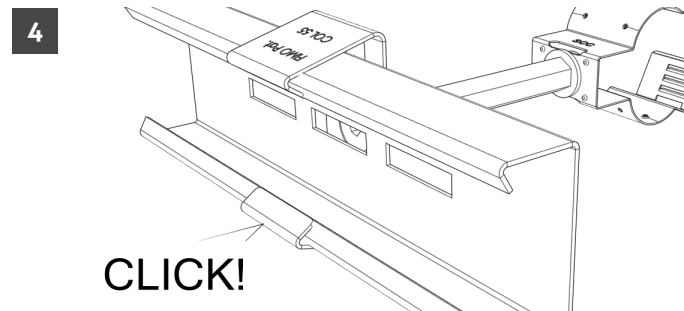
2

Hook upper clip-on corner on section.



3

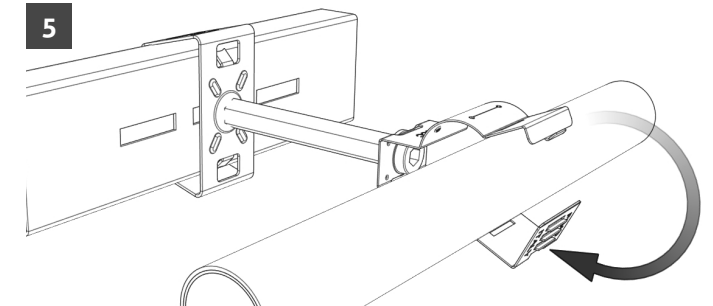
Pull SCC clamp downwards to embrace section.



4

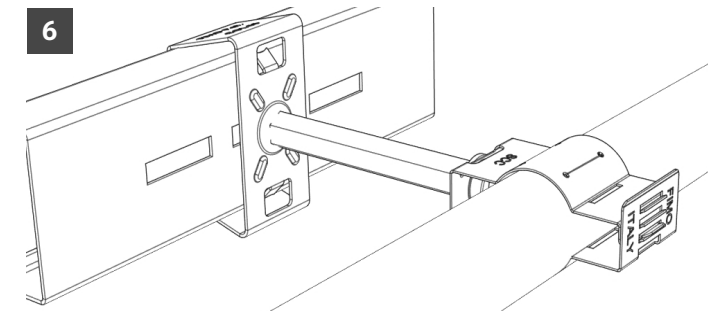
CLICK!

Apply pressure onto lower clip hook until loud **CLICK!** is heard.



5

Insert the cable in the SCC and close the clamp.



6

Finished.

*) Use COL only on specified ladders, see below:

COL 55
For LOE-55 ladder by OGLAEND SYSTEM.



COL 75
For LOE-75 ladder by OGLAEND SYSTEM.



COL 100
For LOE-100 ladder by OGLAEND SYSTEM.



⚠ WARNINGS

Installation of products must be performed by qualified, trained and experienced personnel.

Installation personnel must be correctly and safely equipped.

Mounting instructions and warnings must be read prior to installation.

Warnings alert you to possible dangers about improper use of product.

Failure to observe warnings may result in injury or death to you or others.

⚠ Notice: Manufacturer declines any liability or responsibility for the results of improper or unsafe installation, inspection, maintenance, or removal practices.

IST. 036 - 01/14 - A4 - REV. 0



All rights reserved.
Passing on and copying of this document,
use and communication of its contents not
permitted without Fi.Mo.Tec. S.p.A. prior consent.

